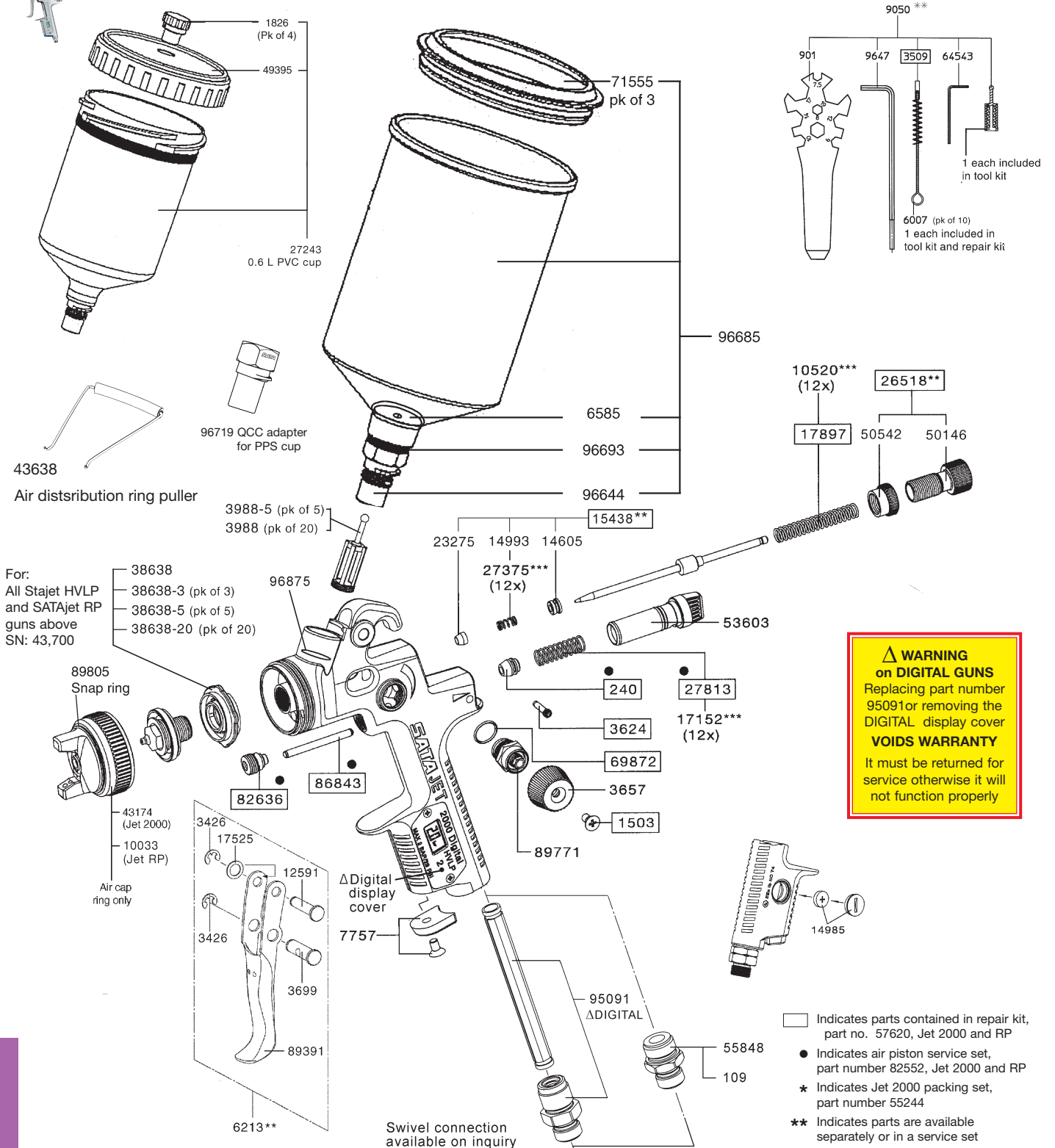


Replacement parts:

# SATAjet 2000 HVLP and RP DIGITAL and Standard Model

## Rear Mounted Needle Packing



**⚠ WARNING**  
on DIGITAL GUNS  
Replacing part number 95091 or removing the DIGITAL display cover  
**VOIDS WARRANTY**  
It must be returned for service otherwise it will not function properly

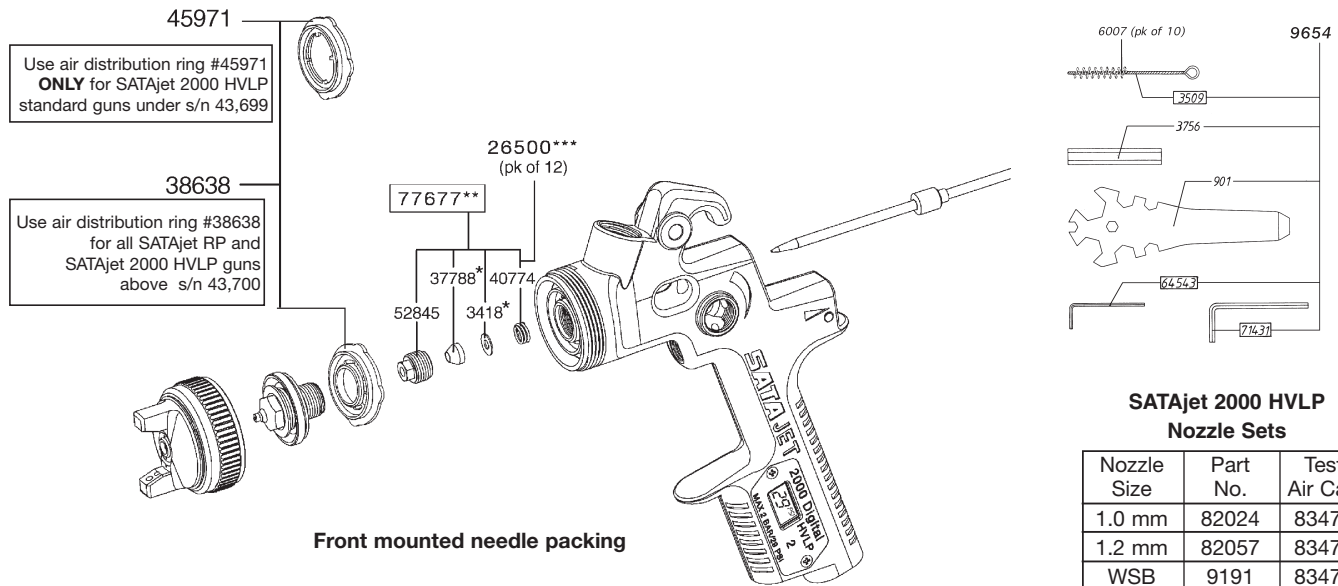
- Indicates parts contained in repair kit, part no. 57620, Jet 2000 and RP
- Indicates air piston service set, part number 82552, Jet 2000 and RP
- \* Indicates Jet 2000 packing set, part number 55244
- \*\* Indicates parts are available separately or in a service set
- \*\*\* Indicates package of 12 springs  
part number 10520 (spring #17897)  
part number 17152 (spring #27813)  
part number 27375 (spring #14993)

Swivel connection available on inquiry

## Replacement parts:

# SATAjet 2000 HVLP and RP DIGITAL and Standard Model

Jet 2000 HVLP DIGITAL guns below s/n 08108500 and Jet 2000 HVLP std. guns below s/n 200,000 use **Front Mounted Needle Packing Parts**



Front mounted needle packing

### SATAjet 2000 HVLP Nozzle Sets

Nozzle Size	Part No.	Test Air Cap
1.0 mm	82024	83477
1.2 mm	82057	83477
WSB	9191	83477
1.3 mm	82073	83477
1.4 mm	82263	83477
1.5 mm	82420	83477
1.7 mm	90399	76505
1.9 mm	90407	82016
2.2 mm	90415	82016

### SATAjet RP Nozzle Sets

Nozzle Size	Part No.
1.0 mm	29587
1.2 mm	14902
1.3 mm	14910
1.4 mm	14936
1.6 mm	14977
1.8mm	97998
2.0 mm	69880
2.5 mm	69898

## SATAjet 2000 HVLP & RP DIGITAL and Standard Front Mounted Needle Packing Parts

Part #	Description	Part #	Description
38638	Air distribution ring, All Satajet RP's and Satajet HVLP above sn: 43,700	901	Universal spanner wrench
9654	Tool set, Jet 2000, RP	3418	Packing washer
3418	Packing washer	40774	Needle packing spring
3509	Std cleaning brush	45971	Air distribution ring Std HVLP below sn: 43,700
3756	Deep socket wrench	52845	Needle packing holder
6007	Std cleaning brush, pk of 10	64543	Allen wrench, 2mm
26500	Needle packing spring, pk of 12 #40774	71431	Allen wrench, 4mm
37788	Packing seal	77677	Needle packing service set

Refer to Figure 1 on page 62 for all other parts not shown above.

## SATAjet 2000 HVLP & RP DIGITAL and Standard (Figure 1)

Part #	Description	Part #	Description	Part #	Description
109	△ Air inlet fitting	14605	Bushing, needle packing	50542	Lock nut, fluid control
240	Air piston packing	14985	Battery kit, digital	53603	Air micrometer
901	Universal spanner wrench	14993	Spring, needle packing	55244	Packing set: Jet 2000, RP, 90
1503	Fan control screw	15438	Needle packing service set	55848	Air inlet fitting, std. gun
1826	Non-drip device, pk of 4	17152	Air piston spring, pk of 12 #27813	57620	Repair kit, Jet 2000, RP
3426	Circlip, pin	17525	Lock spring	64543	Allen wrench, 2mm
3509	Standard cleaning brush	17897	Needle spring	69872	Control O-ring
3624	Pin, micrometer	23275	Needle packing	71555	Plastic lid, pk of 3
3657	Knob, fan control	26518	Fluid control service set	82552	Air piston service set
3699	Pin, lower trigger	27243	0.6L plastic cup QCC	82636	Air piston packing holder
3988	Paint sieve, pk of 20	27375	Spring, pk of 12, of No. 14993	86843	Air piston
3988-5	Paint sieve, pk of 5	27813	Air piston spring	89391	Trigger
6007	Std cleaning brush, pk of 10	38638	Air ring, SATAjet 2000, SATAjet RP Digital & Std. (above S/N 43,700)	89771	Fan Control
6213	Trigger service set, Jet 2000, RP	38638-3	Air ring, pack of 3	89805	Snap ring (air cap)
6585	Insert for Alu cup adapter	38638-5	Air ring, pack of 5	95091	△ Air inlet fitting, DIGITAL
7757	ColorCode disc, pk of 4	38638-20	Air ring, pack of 20	96644	Cup nipple, alum. QCC only
9050	Tool set, Jet 2000, RP	43174	Air cap ring w/seal, Jet 2000	96685	1.0L alum. cup, QCC
9647	Allen wrench, 4mm	43638	Wire tool, air ring	96693	Red ring, alum. QCC only
10033	Air cap ring w/seal, Jet RP	49395	0.6 liter cup lid	96719	QCC adapter, PPS cup
10520	Needle spring, pk of 12 #17897	50146	Fluid regulating control	96875	Inner cup seal
12591	Pin, upper trigger				

△ Must be serviced-DIGITAL guns